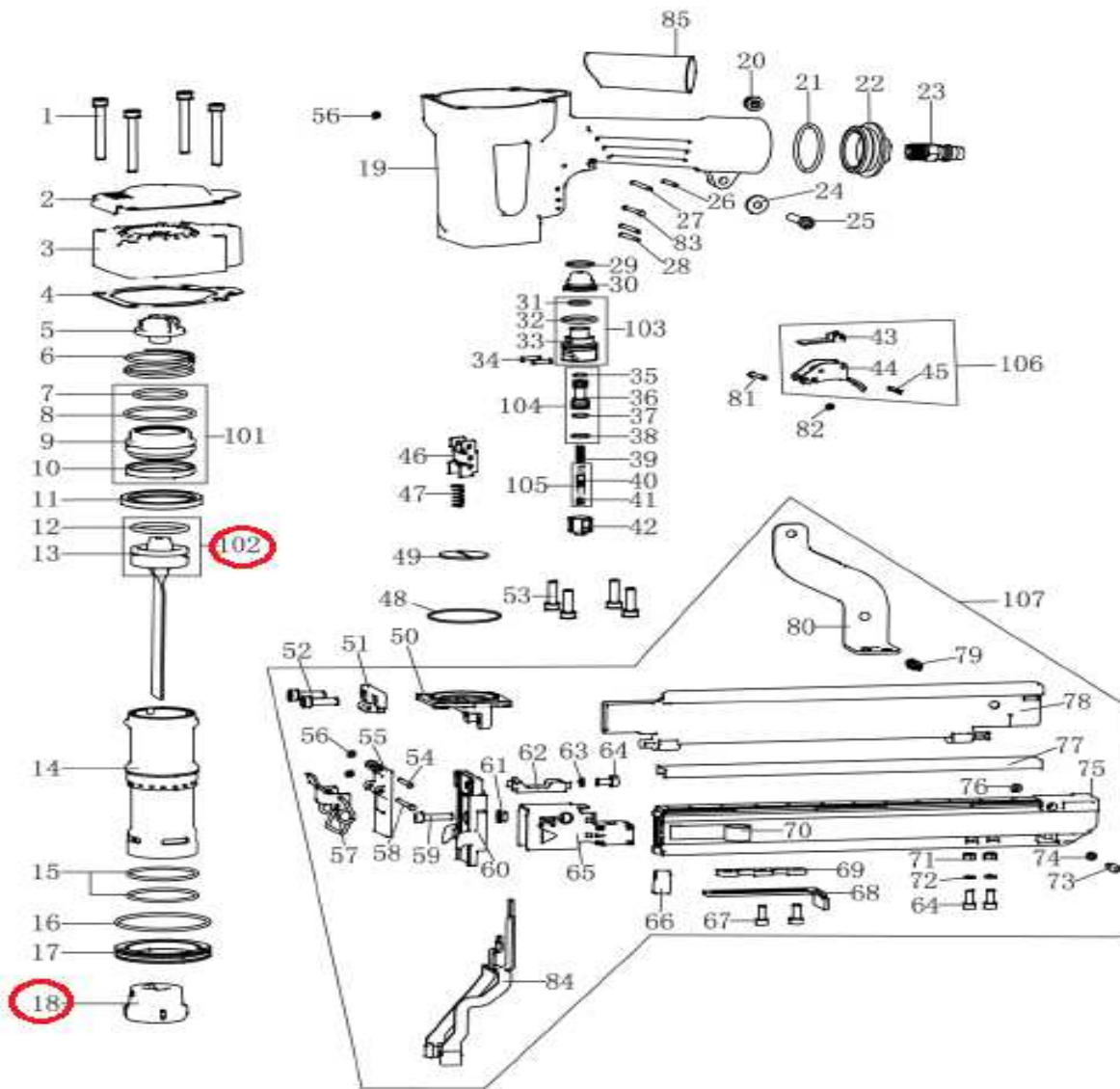


DESPIECE DE LA HERRAMIENTA

Usted encontrará con un círculo las piezas de desgaste recomendadas para mantener en stock.

SF2640S2



102 Lanceta y empaque

18 Tope

KIT: Una lanceta y un empaque (102) y un tope (18)

DESPIECE DE LA HERRAMIENTA

Propiedad de: Implementos Neumáticos SA de CV
Prohibida la reproducción parcial o total

LISTA DE PARTES MODELO: SF2640S2

Item	Part No.	Description	Q'ty	Precio de Lista
1	SF2640S2N-01	SCREW	4	19.67
2	SF2640S2N-02	EAHAUST COVER	1	129.99
3	SF2640S2N-03	CYLINDER CAP	1	696.48
4	SF2640S2N-04	CYLINDER CAP SHIM	1	157.42
5	SF2640S2N-05	AIRPROOF CUSHION	1	70.36
6	SF2640S2N-06	SPRING	1	89.45
7	SF2640S2N-07	O'RING	1	19.67
8	SF2640S2N-08	O'RING	1	26.24
9	SF2640S2N-09	ACTIVE VALVE	1	348.24
10	SF2640S2N-10	ACTIVE VALVE SHIM	1	29.82
11	SF2640S2N-11	RETAINER RING	1	58.44
12	SF2640S2N-12	O'RING	1	19.67
13	SF2640S2N-13	DRIVER	1	1,282.05
14	SF2640S2N-14	CYLINDER	1	455.57
15	SF2640S2N-15	O'RING	2	26.24
16	SF2640S2N-16	O'RING	1	19.67
17	SF2640S2N-17	CYLINDER RING	1	109.72
18	SF2640S2N-18	BUMPER	1	601.07
19	SF2640S2N-19	BODY	1	1,391.77
20	SF2640S2N-20	NUT	1	19.67
21	SF2640S2N-21	O'RING	1	19.67
22	SF2640S2N-22	TAIL CAP	1	139.53
23	SF2640S2N-23	AIR HOSE CONNECTOR	1	35.78
24	SF2640S2N-24	FLAT WASHER	1	19.67
25	SF2640S2N-25	SCREW	1	19.67
26	SF2640S2N-26	ROLL PIN	1	19.67
27	SF2640S2N-27	ROLL PIN	1	19.67
28	SF2640S2N-28	ROLL PIN	2	19.67
29	SF2640S2N-29	O'RING	1	19.67
30	SF2640S2N-30	VALVE COVER	1	44.13
31	SF2640S2N-31	O'RING	1	19.67
32	SF2640S2N-32	O'RING	1	19.67
33	SF2640S2N-33	VALVE	1	83.48
34	SF2640S2N-34	VALVE PIN	1	9.54
35	SF2640S2N-35	O'RING	1	19.67
36	SF2640S2N-36	VALVE PISTON	1	59.63
37	SF2640S2N-37	O'RING	1	19.67
38	SF2640S2N-38	O'RING	1	19.67
39	SF2640S2N-39	SPRING	1	19.67
40	SF2640S2N-40	THIMBLE	1	19.67
41	SF2640S2N-41	O'RING	2	19.67
42	SF2640S2N-42	THIMBLE COVER	1	38.16
43	SF2640S2N-43	TRIGGER PIECE	1	19.67
44	SF2640S2N-44	TRIGGER	1	34.59
45	SF2640S2N-45	ROLL PIN	1	19.67
46	SF2640S2N-46	SAFETY ORIENT	1	35.78

Item	Part No.	Description	Q'ty	Precio de Lista
47	SF2640S2N-47	SPRING	1	19.67
48	SF2640S2N-48	O'RING	1	19.67
49	SF2640S2N-49	GAG	1	38.16
50	SF2640S2N-50	MUZZLE BASE	1	775.19
51	SF2640S2N-51	MUZZLE OPRESSOR	1	894.45
52	SF2640S2N-52	SCREW	2	19.67
53	SF2640S2N-53	SCREW	4	19.67
54	SF2640S2N-54	PIN	1	28.62
55	SF2640S2N-55	MUZZLE COVER	1	1,311.86
56	SF2640S2N-56	RUBBER JACKER	2	19.67
57	SF2640S2N-57	MUZZLE FASTEN SET	1	184.85
58	SF2640S2N-58	PIN	1	29.82
59	SF2640S2N-59	SCREW	1	19.67
60	SF2640S2N-60	MUZZLE	1	1,788.91
61	SF2640S2N-61	POIS SHIM	1	20.27
62	SF2640S2N-62	GUIDE NAIL	1	238.52
63	SF2640S2N-63	SPRING WASHER	1	19.67
64	SF2640S2N-64	SCREW	3	19.67
65	SF2640S2N-65	PUSHER	1	125.22
66	SF2640S2N-66	FIXED BLOCK	1	71.56
67	SF2640S2N-67	SCREW	2	19.67
68	SF2640S2N-68	RETAINER	1	47.70
69	SF2640S2N-69	NUT PIECE	1	46.51
70	SF2640S2N-70	WUNDING SPRING	1	79.90
71	SF2640S2N-71	NUT	1	19.67
72	SF2640S2N-72	SPRING WASHER	1	19.67
73	SF2640S2N-73	SHUTOFF	1	38.16
74	SF2640S2N-74	SPRING	1	19.67
75	SF2640S2N-75	NAIL ORIENT	2	316.04
76	SF2640S2N-76	RUBBER JACKER	1	19.67
77	SF2640S2N-77	RAIL	1	91.83
78	SF2640S2N-78	NAIL PROTECTOR	1	151.46
79	SF2640S2N-79	SPRING	1	19.67
80	SF2640S2N-80	LINK	1	106.14
81	SF2640S2N-81	PIN	1	20.27
82	SF2640S2N-82	RUBBER JACKER	1	19.67
83	SF2640S2N-83	TRIGGER PIN	1	23.85
84	SF2640S2N-84	SAFETY SO,DER	1	398.33
85	SF2640S2N-85	SHEATH	1	50.09
101	SF2640S2N-101	ACTIVE VALVE SET	1	411.45
102	SF2640S2N-102	DRIVER SET	1	1,292.78
103	SF2640S2N-103	VALVE SET	1	106.14
104	SF2640S2N-104	VALVE PISTON SET	1	76.33
105	SF2640S2N-105	THIMBLE SET	1	19.67
106	SF2640S2N-106	TRIGGER SET	1	56.05
107	SF2640S2N-107	MAGAZINE SET	1	6,926.65

* Precios en moneda nacional