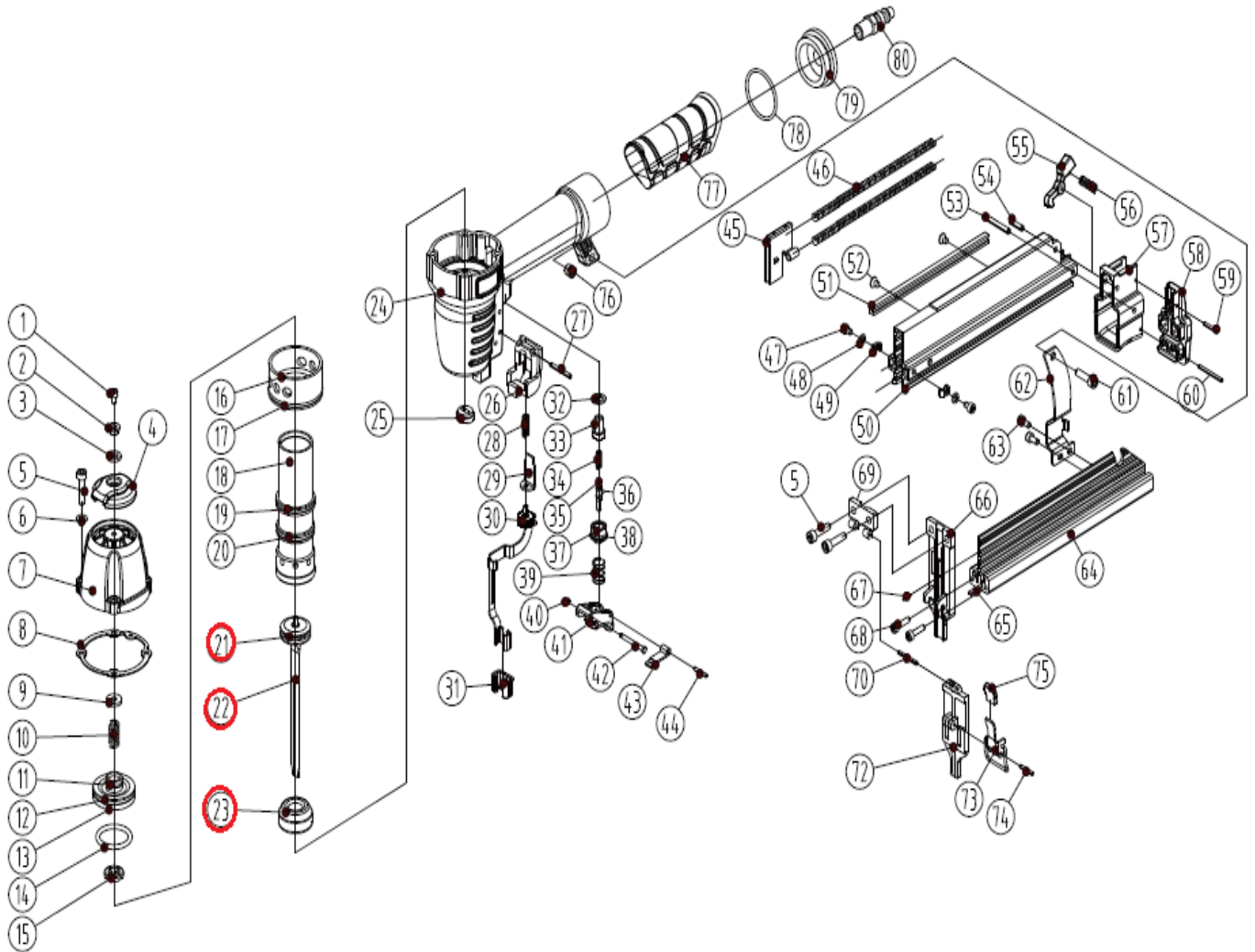


DESPIECE DE LA HERRAMIENTA

Usted encontrará con un círculo las piezas de desgaste recomendadas para mantener en stock.

SF9040L4



22 Lanceta

23 Tope

21 O'ring

Kit: Lanceta (22), un tope (23) y un o'ring (21)

DESPIECE DE LA HERRAMIENTA

Propiedad de: Implementos Neumáticos SA de CV
Prohibida la reproducción parcial o total

CONFIDENCIAL

LISTA DE PARTES
MODELO: SF9040L4

Item	Part No.	Description	Q'ty	Precio
1	SF9040L4N-1	SCREW M 4* 10	1	19.67
2	SF9040L4N-2	BU SHING	1	19.67
3	SF9040L4N-3	W ASHER	1	19.67
4	SF9040L4N-4	EXHAU ST COVER	1	67.98
5	SF9040L4N-5	SCREW	1	19.67
6	SF9040L4N-6	W ASHER	1	19.67
7	SF9040L4N-7	CYLINDER CAP	1	107.33
8	SF9040L4N-8	GASK ET	1	20.27
9	SF9040L4N-9	SAEL	1	18.38
10	SF9040L4N-10	SPRING	1	19.67
11	SF9040L4N-11	O-RING	1	19.67
12	SF9040L4N-12	O-RING	1	19.67
13	SF9040L4N-13	VALVE	1	107.33
14	SF9040L4N-14	O-RING 33.5* 3.5	1	19.67
15	SF9040L4N-15	STOPPED W ASHER	1	19.67
16	SF9040L4N-16	COLLAR	1	27.43
17	SF9040L4N-17	O-RING	1	19.67
18	SF9040L4N-18	CYLINDER	1	202.74
19	SF9040L4N-19	O-RING	1	19.67
20	SF9040L4N-20	O-RING	1	19.67
21	SF9040L4N-21	O-RING	1	19.67
22	SF9040L4N-22	PISTON ASSEM BLY	1	337.51
23	SF9040L4N-23	BU M PER	1	67.98
24	SF9040L4N-24	BODY	1	404.29
25	SF9040L4N-25	JOINT GUIDE	1	19.67
26	SF9040L4N-26	SAFE GUIDE R	1	19.67
27	SF9040L4N-27	SPRING PIN	1	19.67
28	SF9040L4N-28	SPRING	1	19.67
29	SF9040L4N-29	SAFE BRACK ET	1	19.67
30	SF9040L4N-30	SAFE BRACK ET ASSEM	1	40.55

Item	Part No.	Description	Q'ty	Precio
41	SF9040L4N-41	TRIGGER	1	19.67
42	SF9040L4N-42	TRIGGER PIN	1	19.67
43	SF9040L4N-43	SPRING	1	19.67
44	SF9040L4N-44	SPRING PIN	1	19.67
45	SF9040L4N-45	FEEDER SHOE	1	27.43
46	SF9040L4N-46	SPRING	1	19.67
47	SF9040L4N-47	SCREW	1	19.67
48	SF9040L4N-48	SPRING W ASHE	1	19.67
49	SF9040L4N-49	BLOCK	1	23.85
50	SF9040L4N-50	M OVALE M AG	1	296.96
51	SF9040L4N-51	RAIL	1	27.43
52	SF9040L4N-52	SCREW	1	19.67
53	SF9040L4N-53	SPRING PIN	1	19.67
54	SF9040L4N-54	SPRING PIN	1	19.67
55	SF9040L4N-55	LOCK	1	20.27
56	SF9040L4N-56	SPRING	1	19.67
57	SF9040L4N-57	M AGAZINE PLAT	1	27.43
58	SF9040L4N-58	JOINT GUIDE	1	13.12
59	SF9040L4N-59	SPRING PIN	1	19.67
60	SF9040L4N-60	SPRING PIN	1	19.67
61	SF9040L4N-61	SCREW	1	19.67
62	SF9040L4N-62	SU PPORT	1	20.27
63	SF9040L4N-63	SCREW	1	19.67
64	SF9040L4N-64	FIXED M AGAZIN	1	337.51
65	SF9040L4N-65	RAIL	1	27.43
66	SF9040L4N-66	DRIVE GUIDE	1	94.22
67	SF9040L4N-67	PIN	1	19.67
68	SF9040L4N-68	SCREW	1	19.67
69	SF9040L4N-69	SPACER	1	19.67
70	SF9040L4N-70	SPRING PIN	1	19.67

DESPIECE DE LA HERRAMIENTA

Propiedad de: Implementos Neumáticos SA de CV
Prohibida la reproducción parcial o total

CONFIDENCIAL

LISTA DE PARTES
MODELO: SF9040L4

Item	Part No.	Description	Q'ty	Precio
31	SF9040L4N-31	RUBBER SLEEVE	1	19.67
32	SF9040L4N-32	SEAL	1	19.67
33	SF9040L4N-33	TRIGGER VALVE HEAD	1	20.27
34	SF9040L4N-34	Spring	1	19.67
35	SF9040L4N-35	TRIGGER VALVE STEM	1	20.27
36	SF9040L4N-36	O-RING	1	19.67
37	SF9040L4N-37	TRIGGER VALVE GUIDE	1	33.39
38	SF9040L4N-38	O-RING	1	19.67
39	SF9040L4N-39	SPRING	1	19.67
40	SF9040L4N-40	WASHER	1	19.67

Item	Part No.	Description	Q'ty	Precio
72	SF9040L4N-72	FRONT PLATE	1	81.10
73	SF9040L4N-73	LATCH ASSEMBLY	1	40.55
74	SF9040L4N-74	SPRING PIN	1	19.67
75	SF9040L4N-75	RUBBER SLEEVE	1	19.67
76	SF9040L4N-76	NUT	1	19.67
77	SF9040L4N-77	SOFT GRIP SLEEVE	1	47.70
78	SF9040L4N-78	O-RING	1	19.67
79	SF9040L4N-79	END CAP	1	47.70
80	SF9040L4N-80	AIR PLUG	1	215.86

* Precios en moneda nacional