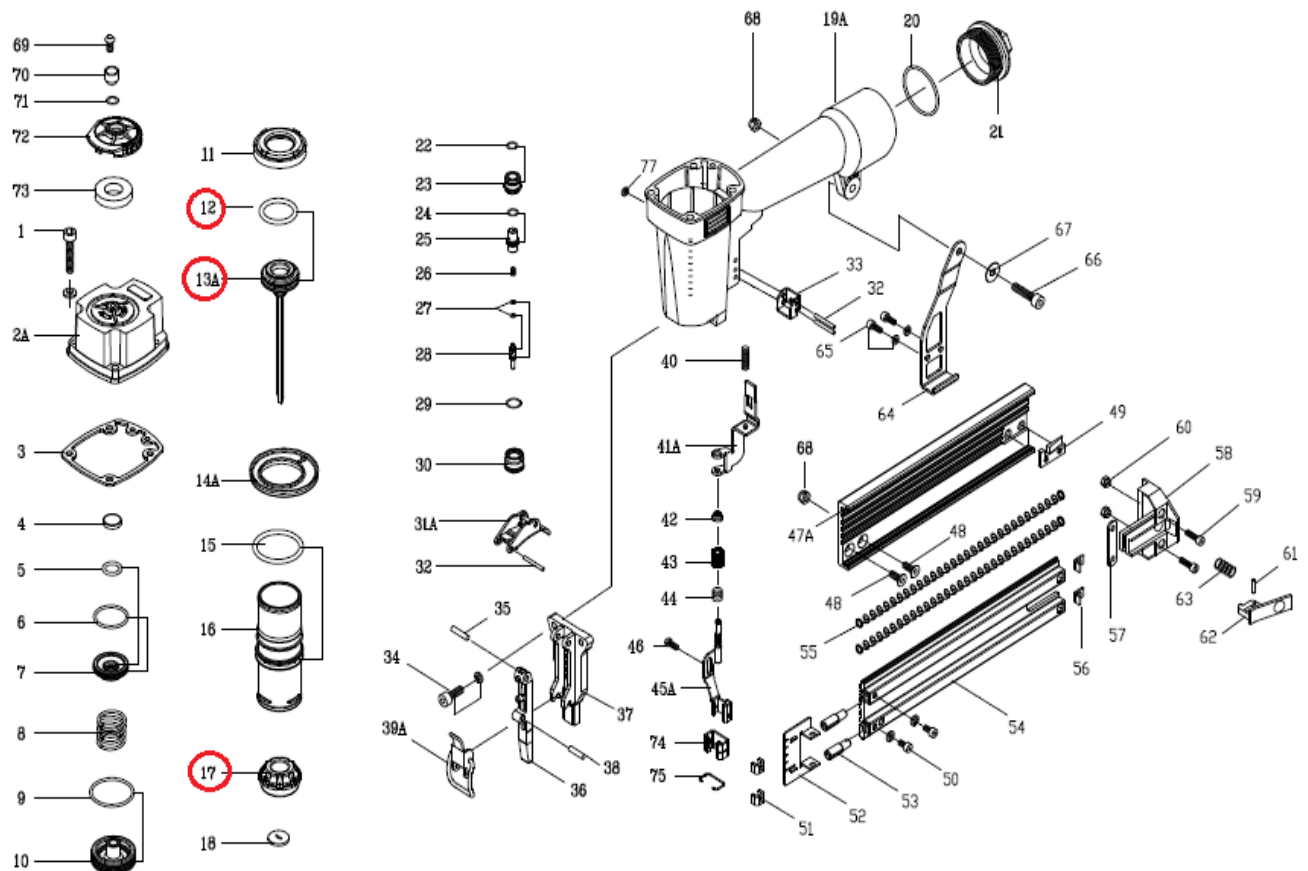


DESPIECE DE HERRAMIENTA BF1650L

Usted encontrará con un círculo rojo las piezas de desgaste recomendadas para mantener en stock.



12: O'ring 13A:Lanceta 17:Tope

KIT: Un O'ring (12), una lanceta (13A), un tope (17)

**LISTA DE PARTES
BF1650L**

Item / Parte	Part Number / Número de parte	Description / Descripción	Qty / Cantidad	Price Unit / Precio Unit. (MXN)*
1	BF1650L-01	Hex. Soc. Hd. Bolt	4	\$ 22.52
2	BF1650L-02A	Cap Assembly	1 set	\$ 792.74
3	BF1650L-03	Gasket	1	\$ 75.43
4	BF1650L-04	Seal	1	\$ 68.58
5	BF1650L-05	O-Ring	1	\$ 22.52
6	BF1650L-06	O-Ring	1	\$ 22.52
7	BF1650L-07	Piston Stopper	1	\$ 322.31
8	BF1650L-08	Spring	1	\$ 48.00
9	BF1650L-09	O-ring	1	\$ 22.52
10	BF1650L-10	Piston, Head Valve	1	\$ 395.00
11	BF1650L-11	Seal	1	\$ 137.15
12	BF1650L-12	O-ring	1	\$ 23.32
13A	BF1650L-13A	Driver Assembly	1 set	\$ 373.05
14A	BF1650L-14A	Cylinder Spacer Assy	1 set	\$ 349.74
15	BF1650L-15	O-ring	1	\$ 32.92
16A	BF1650L-16	Cylinder	1	\$ 678.90
17	BF1650L-17	Bumper	1	\$ 315.45
18	BF1650L-18	Driver Guide	1	\$ 27.43
19A	BF1650L-19A	Body Assembly	1 set	\$ 1,935.22
20	BF1650L-20	O-ring	1	\$ 28.80
21	BF1650L-21	End Cap	1	\$ 249.62
22	BF1650L-22	O-ring	1	\$ 22.52
23A	BF1650L-23	Valve	1	\$ 106.98
24	BF1650L-24	O-ring	1	\$ 22.52
25	BF1650L-25	Valve Plunger	1	\$ 93.26
26	BF1650L-26	Spring	1	\$ 22.52
27	BF1650L-27	O-ring	2	\$ 22.52
28	BF1650L-28	Plunger	1	\$ 37.03
29	BF1650L-29	O-ring	1	\$ 22.52
30	BF1650L-30	Plunger Cap	1	\$ 201.61
31A	BF1650L-31A	Trigger Assembly	1 set	\$ 198.87
32	BF1650L-32	Spring Pin	3	\$ 22.52
33	BF1650L-33	Guide, Safety Lever	1	\$ 82.29
34	BF1650L-34	Hex. Soc. Hd. Bolt	1	\$ 22.52
35	BF1650L-35	Spring Pin	1	\$ 22.52
36	BF1650L-36	Door	1	\$ 781.77
37	BF1650L-37	Nose	1	\$ 1,645.83
38	BF1650L-38	Spring Pin	1	\$ 22.52
39A	BF1650L-39A	Latch Spring Assembly	1 set	\$ 152.24

Item / Parte	Part Number / Número de parte	Description / Descripción	Qty / Cantidad	Price Unit / Precio Unit. (MXN)*
40	BF1650L-40	Spring, Safety	1	\$ 22.52
41A	BF1650L-41A	Upper Safety Lever Assy.	1	\$ 160.47
42	BF1650L-42	Safety Guide	1	\$ 61.72
43	BF1650L-43	Adjusting Nut	1	\$ 102.86
44	BF1650L-44	Adjusting Spring	2	\$ 22.52
45A	BF1650L-45A	Lower Safety Lever Assy	1	\$ 185.16
46	BF1650L-46	Hex. Soc. Hd. Bolt	1	\$ 22.52
47A	BF1650L-47A	Magazine Assembly	1	\$ 693.99
48	BF1650L-48	Hex. Soc. Hd. Bolt	1	\$ 22.52
49	BF1650L-49	Magazine Cover Stopper	2	\$ 279.79
50	BF1650L-50	Hex. Soc. Hd. Bolt	1 set	\$ 22.52
51	BF1650L-51	Spring Stopper	1	\$ 28.80
52	BF1650L-52	Pusher	1	\$ 63.09
53	BF1650L-53	Spring Lock	1	\$ 22.52
54	BF1650L-54	Magazine Cover	1	\$ 517.06
55	BF1650L-55	Spring	1	\$ 45.26
56	BF1650L-56	Spring Stopper	1	\$ 22.52
57	BF1650L-57	Magazine Cap Plate	1	\$ 22.52
58	BF1650L-58	Magazine Cap	1	\$ 96.01
59	BF1650L-59	Hex. Soc. Hd. Bolt	2	\$ 22.52
60	BF1650L-60	Locknut	2	\$ 43.89
61	BF1650L-61	Pin	1	\$ 30.17
62	BF1650L-62	Latch	1	\$ 242.76
63	BF1650L-63	Spring	1	\$ 22.52
64	BF1650L-64	Bracket	1	\$ 164.58
65	BF1650L-65	Hex. Soc. Hd. Bolt	1	\$ 72.69
66	BF1650L-66	Hex. Soc. Hd. Bolt	1	\$ 22.52
67	BF1650L-67	Flat Washer	1	\$ 22.52
68	BF1650L-68	Locknut	1	\$ 22.52
69	BF1650L-69	Hex. Soc. Hd. Bolt	1	\$ 22.52
70	BF1650L-70	Washer	1	\$ 75.43
71	BF1650L-71	O'ring	1 set	\$ 22.52
72	BF1650L-72	Deflector	1	\$ 68.58
73	BF1650L-73	Muffler	1	\$ 48.00
74	BF1650L-74	Rubber Pad	1	\$ 26.06
75	BF1650L-75	Clip	1	\$ 22.52
KIT				
D	BF1650L-D	Dirver Maintenance Kit	1 Set	\$ 827.03
O	BF1650L-O	O-Ring Maintenance Kit	1 Set	\$ 263.33

* PRECIOS EN MONEDA NACIONAL (MXN)

Propiedad de Implementos Neumáticos S. A. de C. V.

Prohibida la reproducción parcial o total