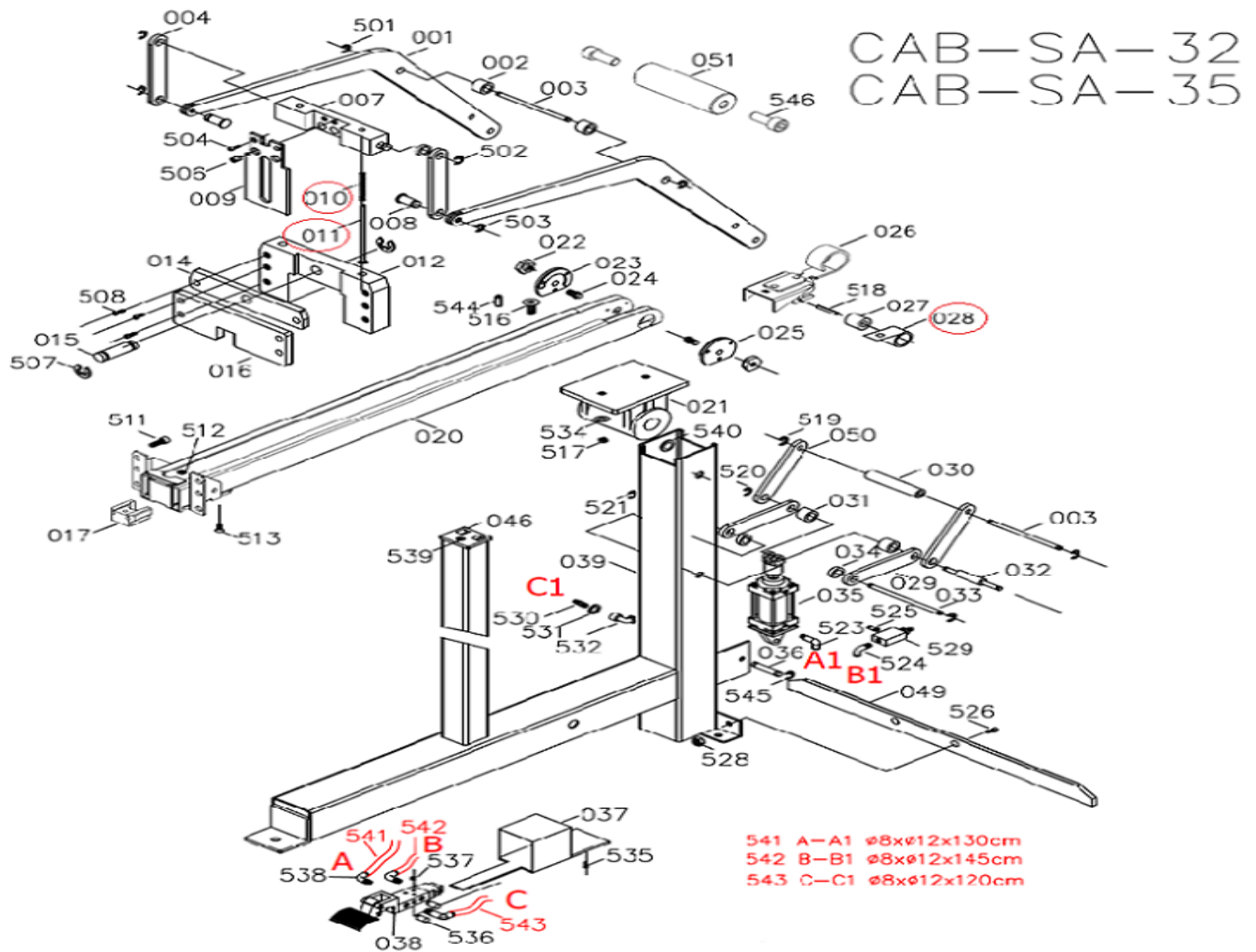


DESPIECE DE LA HERRAMIENTA

Usted encontrará con un círculo las piezas de desgaste recomendadas para mantener en stock.



028 Resorte empujador 011 Perno 010
Resorte
KIT: 1 resorte (028), 2 pernos (011) y 2
resortes (010)

Item	Part No.	Description	Q'ty	Specific	P. Lista
001	A00600104	LINK 1	2		1,272.51
002	A00603401	TUBE	2		95.40
003	A00603201	SHAFT E	2		152.65
004	A00600401	LINK 2	2		63.21
007	A00600703	DRIVER SEAT	1		725.10
008	A00600801	SHAFT C	2		133.58
009	A00600904	DRIVER	1	35	381.63
009	A00600905	DRIVER	1	32	381.63
009	A00600906	DRIVER	1	34	381.63
010	A00601002	SPRING	2		38.16
011	A00601103@	SPRING SHAFT	2		-
012	A00601208	MAGAZINE SEAT	1	35	2,035.78
012	A00601203	MAGAZINE SEAT	1	32	1,439.47
012	A00601204	MAGAZINE SEAT	1	34	1,439.47
014	A00601405	COVER B	1	35	381.63
014	A00601403	COVER B	1	32	381.63
014	A00601404	COVER B	1	34	381.63
015	A00601502	SHAFT D	1		127.61
016	A00601605	COVER A	1	35	405.49
016	A00601603	COVER A	1	32	405.49
016	A00601604	COVER A	1	34	405.49
017	A00607501	BRACKET	1		206.32
020	CMB-S-35-P3-S	MAGAZINE UNIT	1	35	3,264.16
020	CMB-S-32-P3-S	MAGAZINE UNIT	1	32	3,264.16
021	A00602101	BRACKET	1		628.50
022	A00607101	NUT	2		50.09
023	A00103903@	RIGHT PUSHER GUIDE	1		-
024	A00103203	ROD	2		50.09
025	A00103904@	LEFT PUSHER GUIDE	1		-
026	A00103709@	PUSHER SET	1	35	-
026	A00103710@	PUSHER SET	1	32	-
027	A00103501	ROLLER	1		41.74
028	A00602801	SPRING	1		228.98
029	A00602901	LINK 3	4		143.11
030	A00603002	TUBE	1		238.52
031	A00700704	TUBE	2		190.82
032	A00700206	SHAFT K	1		152.65
033	A00603302	SHAFT F	1		133.58
034	A00603402	TUBE	2		66.78
035	BAI0104A	CYLINDER SET	1	φ80, S=75	8,518.78
036	A00700601	SHAFT M	1		226.60
037	A00700302@	SWITCH COVER UNIT	1		1,231.96
038	BAI0302	SWITCH	1		2,385.20

* Precios en moneda nacional

Item	Part No.	Description	Q'ty	Specification	P. Lista
039	A00603905@	BODY SET	1		-
046	A00604607	MOLD	1	35, 34, 9040, 7437	286.23
049	A00604901	BALANCER	1		775.19
050	A00602903	LINK 3-C	1		143.11
051	A00608201	SHAFT	1		318.43
504	BAC0604102	HEX.SOC.HD.BOLT	2	M4 x 0.7-10	19.67
506	BAA060016	SPRING PIN	2	ψ6-16	19.67
507	BAF10602	E-RING	2	ψ6	19.67
508	BAC0605102	HEX.SOC.HD.BOLT	6	M5 x 0.8-18	19.67
511	BAC0605082	HEX.SOC.HD.BOLT	6	M5 x 0.8-8	19.67
512	BAD01041	LOCK NUT	1	M4 x 0.7	19.67
513	BAC0204222	HEX.SOC.FLAT COV	1	M4 x 0.7-22	19.67
516	BAC0205162	HEX.SOC.FLAT COV	2	M5 x 0.8-16	19.67
517	BAD02051	LOCK NUT	2	M5 x 0.8	19.67
518	BAA040016	SPRING PIN	1	ψ4-16	19.67
519	BAF11002	E-RING	2	ψ10	19.67
520	BAF11002	E-RING	2	ψ10	19.67
521	BAF11002	E-RING	2	ψ10	19.67
523	BAI0703	PU PLUG	1	3/8" x \$ 12-90°	71.56
524	BAI0703	PU PLUG	1	3/8" x \$ 12-90°	71.56
525	BAI1002	DOUBLE SCREW TU	1	3/8"X3/8"	91.83
526	BAC0408202	HEX.SOC.HD.BOLT	2	M8 x 1.25-20	19.67
528	BAD01081	LOCK NUT	2	M8 x 1.25	19.67
529	BAI1102	QUICK EXHAUST	1	3/8"	1,180.68
530	A00100801	AIR PLUG	1	Japanese Type	64.40
530	A00100802	AIR PLUG	1	U.S.A. Type	64.40
530	A00100803	AIR PLUG	1	European Type	64.40
531	BAE01122	SPRING WASHER	1	\$ 12	19.67
532	BAI1203	PU PLUG	1	THREAD 1/4" x \$ 1	277.88
534	BAE01052	WASHER	2	φ5	19.67
535	BAC050012	FLAT HEAD SCREW	3	3/16" UNC	19.67
536	BAI0503	DEFLECTOR	2	3/8"	76.33
537	BAD03012	NUT	3	3/16" NUC	19.67
538	BAI0703	PU PLUG	3	3/8" x \$ 12-90°	71.56
539	BAC0904082	HEX.SOC.FLAT COV	1	M4 x 0.7-0.8	19.67
540	BAE03142	WAVE WASHER	2	φ14.5 x φ21	19.67
541	BAI0803	TUBE	1	ψ5 x ψ8x130 CM	437.68
542	BAI0804	TUBE	1	ψ5 x ψ8x145CM	477.05
543	BAI0805	TUBE	1	ψ5 x ψ8x120CM	516.40
544	BAA040008	SPRING PIN	4	φ4 x 8	19.67
545	BAF11502	E-RING	2	ψ15	19.67
546	BAC0608202	HEX.SOC.HD.BOLT	2	M8 x 1.25-20	19.67