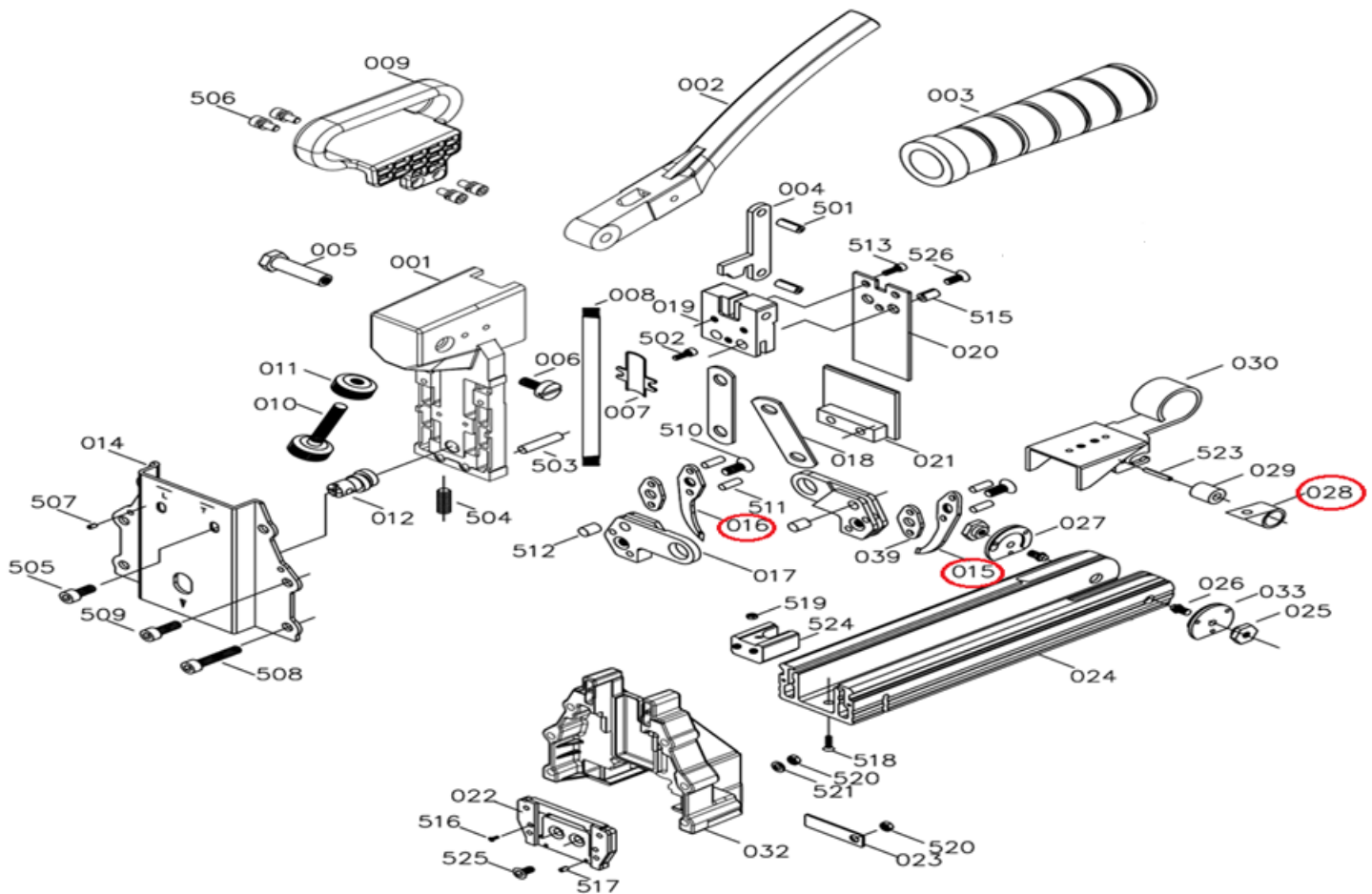


DESPIECE DE LA HERRAMIENTA

Usted encontrará con un círculo las piezas de desgaste recomendadas para mantener en stock.

HDCSH-19-35



015: Cuchilla Izquierda

016: Cuchilla Derecha

028:Resorte Empujador

Kit: Una cuchilla izquierda , una cuchilla derecha y un resorte empujador

Propiedad de: Implementos Neumáticos SA de CV
Prohibida la reproducción parcial o total

LISTA DE PARTES
MODELO: HDCSH

CONFIDENCIAL

Item	Part No.	Description	Q'ty	Specification	P. Lista
001	HAH-P22	BODY UNIT	1		1,050.69
002	A01102701	HANDLE	1		410.25
003	A00300301	HANDLE GLEEVE	1		343.47
004	A01103001	LINK	1		76.33
005	A00300501	PIVOT PIN	1		66.78
006	A00300601	PIVOT SCREW	1		42.93
007	A01102801	COVER	1		42.93
008	A01102901	SPRING	1		45.32
009	A02100501	HANDLE	1		178.89
010	A00301001	ADJUSTMENT SCREW	1		76.33
011	A00301101	ADJUSTMENT NUT	1		57.25
012	A00101801	ADJUSTING ROD	1		335.12
014	A00302201	FRONT PLATE	1		280.26
015	A00102102	RIGHT TEETH	1	19-35	128.80
015	A01200501	RIGHT TEETH	1	22-35	250.45
016	A00102202	LEFT TEETH	1	19-35	128.80
016	A01200601	LEFT TEETH	1	22-35	250.45
017	A00102301	TEETH SEAT	2		363.75
018	A00102401	PLATE	2		44.12
019	A00301902	BLOCK	1		363.75
020	A00102605	DRIVER	1	19-35 , 9040	225.41
020	A01201706	DRIVER	1	19-32	225.41
020	A01201709	DRIVER	1	22-32	225.41
020	A00102606	DRIVER	1	19-34	225.41
020	A01201708	DRIVER	1	22-35 (71.2r	225.41
021	A00102702@	COVER UNIT	1	8.65mm	-
022	A01201101P	DRIVER GUIDE UNIT	1	19-35 (2.35r	248.07
022	A01201102P	DRIVER GUIDE UNIT	1	19-32 , 22-32	248.07
022	A00102806P	DRIVER GUIDE UNIT	1	19-34	248.07
022	A01201103P	DRIVER GUIDE UNIT	1	22-35 (2.3m	248.07
022	A01201105P	DRIVER GUIDE UNIT	1	7437	248.07
022	A01201106P	DRIVER GUIDE UNIT	1	9040	248.07
023	A00102901	PLATE	2		32.21
024	ADCS-19-35P7	MAGAZINE	1	19-35 , 22-35	2,201.55
024	A00103008	MAGAZINE	1	19-32 , 22-32	1,870.00
024	A00103005	MAGAZINE	1	19-34	1,870.00
024	A00103009	MAGAZINE	1	9040 , 7437	1,870.00

Item	Part No.	Description	Q'ty	Specification	P. Lista
025	A00103102	ROD UNIT	2		50.09
026	A00103203	ROD	2		50.09
027	A00103903@	RIGHT PUSHER GUIDE	1		-
028	A00103401	SPRING	1		150.27
029	A00103501	ROLLER	1		41.74
030	A00103707@	PUSHER UNIT	1	19-35 , 22-35	-
030	A00103706@	PUSHER UNIT	1	19-32 , 22-32	-
030	A00103708@	PUSHER UNIT	1	19-34	-
030	A00103712@	PUSHER UNIT	1	7437	-
030	A00103713@	PUSHER UNIT	1	9040	-
032	A00302501	MAGAZINE SEAT	1		566.49
033	A00103904@	LEFT PUSHER GUIDE	1		-
039	A00105001	WASHER	2		39.36
501	BAA050020	SPRING PIN	2	ø5-20	19.67
502	BAC0404062	HEX.SOC.HD.BOLT	2	M4 x 0.7-6	19.67
503	A00104701	ROD	2	ø4.9-17.5	20.28
504	BAC0306142	HEX.SOC.HDLESS.BOLT	1	M6 x 1-14	19.67
505	BAC0605142	HEX.SOC.HD.BOLT	2	M5 x 0.8-14	19.67
506	BAC0605122	HEX.SOC.HD.BOLT	4	M5 x 0.8-12	19.67
507	BAA030010	SPRING PIN	4	ø3-10	19.67
508	BAC0405502	HEX.SOC.HD.BOLT	2	M5 x 0.8-50	19.67
509	BAC0405302	HEX.SOC.HD.BOLT	4	M5 x 0.8-30	19.67
510	A00106201	HEX.SOC.FLAT COUNTER	2	M5 x 0.8-12	19.67
511	A00104501	PIN	4	ø3.98-13	20.28
512	A00104602	PIN	2	ø6.05-8	21.47
513	BAC0604102	HEX.SOC.HD.BOLT	2	M4 x 0.7-10	19.67
515	BAA060016-R	SPRING PIN	2	ø6-16	32.21
516	BAC0102101	FLAT HD.SCREW	2	M2.6 x 0.45-10	19.67
517	BAA020006	SPRING PIN	2	ø2-6	19.67
518	BAC0204202	HEX.SOC.FLAT COUNTER	1	M4 x 0.7-20	19.67
519	BAD01041	LOCK NUT	1	M4 x 0.7	19.67
520	BAD01051	LOCK NUT	6	M5 x 0.8	19.67
521	BAE03051	WASHER	4	ø5.1x ø12x 0.8T	19.67
523	BAA040016	SPRING PIN	1	ø4-16	19.67
524	A00105601	BLOCK	1		206.32
525	BAC0204082	HEX.SOC.FLAT COUNTER	2	M4 x 0.7-8	19.67
526	BAC0204062	HEX.SOC.FLAT COUNTER	1	M4x0.7-6	19.67

*Precios en moneda nacional