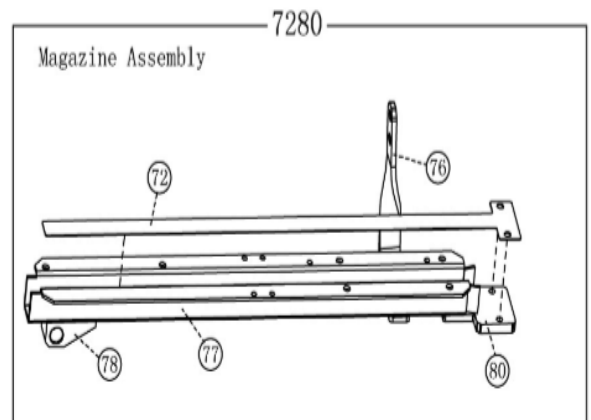
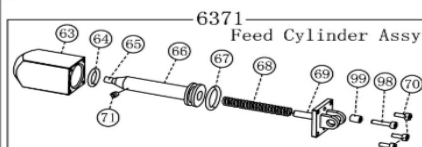
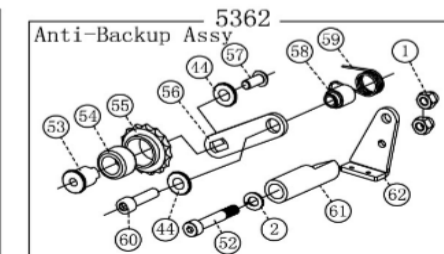
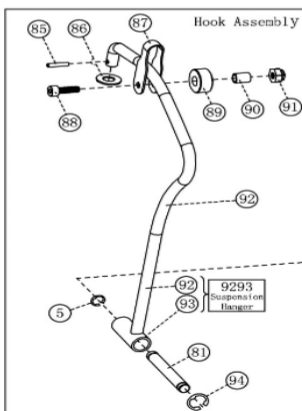
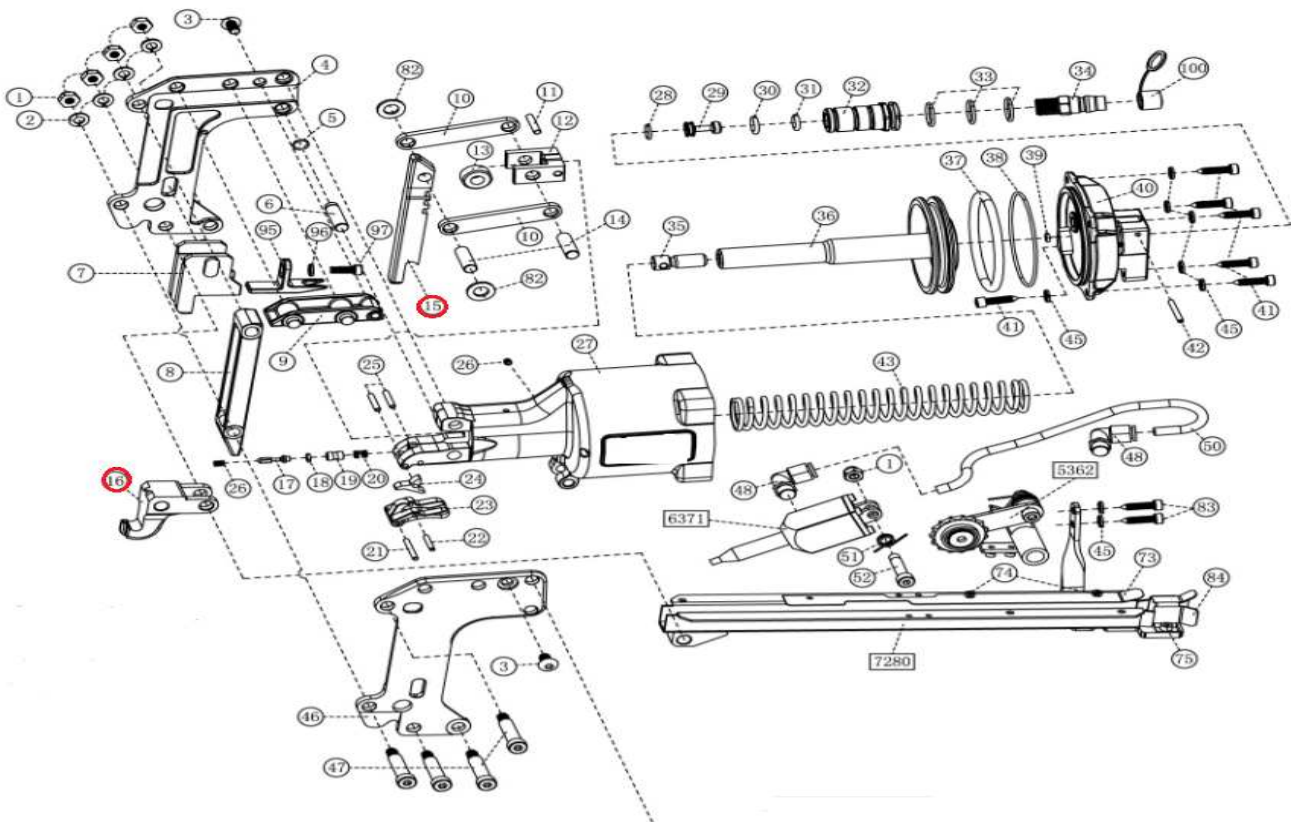
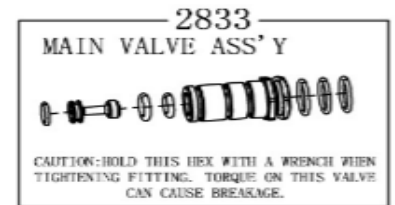
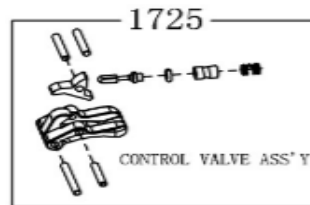


DESPIECE DE LA HERRAMIENTA

Usted encontrará con un círculo las piezas de desgaste recomendadas para mantener en stock.

M47-CCP



15: Lanceta

16: Anvil

Kit: Una lanceta (15) y un Anvil (16)

DESPIECE DE LA HERRAMIENTA

Propiedad de: Implementos Neumáticos SA de CV

CONFIDENCIAL

Prohibida la reproducción parcial o total

LISTA DE PARTES

MODELO: M47

Item	Part No.	Description	Specificación	Q'ty	P. Lista
1	M47-CCP-1	Flex-Nut	M6	7	35.78
2	M47-CCP-2	Lock Washer	φ6	5	23.85
3	M47-CCP-3	Soc. Hd. Cap. Sc.	M6X12	2	35.78
4	M47-CCP-4	Side Plate R.H.		1	2,087.06
5	M47-CCP-5	Side Plate Pin Circlip	φ7	2	23.85
6	M47-CCP-6	Pin Side Plate		1	178.89
7	M47-CCP-7	Blade Guide		1	1,431.13
8	M47-CCP-8	Front Plate		1	2,444.84
9	M47-CCP-9	Top Plate		1	2,087.06
10	M47-CCP-10	Link		2	870.60
11	M47-CCP-11	Dowel Pin		1	35.78
12	M47-CCP-12	Yoke		1	1,788.91
13	M47-CCP-13	Roller		1	632.08
14	M47-CCP-14	Pin Former		2	35.78
15	M47-CCP-15	Blade		1	3,458.55
16	M47-CCP-16	Anvil		1	3,458.55
17	M47-CCP-17	Pilot Valve Stem		1	870.60
18	M47-CCP-18	O-ring	φ6.75X1.8	1	35.78
19	M47-CCP-19	Control Valve Cover		1	429.34
20	M47-CCP-20	Spring		1	71.56
21	M47-CCP-21	Trigger pin 1	φ3X28	1	23.85
22	M47-CCP-22	Trigger pin 2	φ3X20	1	23.85
23	M47-CCP-23	Trigger		1	989.86
24	M47-CCP-24	Valve Lever		1	345.86
25	M47-CCP-25	Dowel Pin	φ3.2X22.3	2	35.78
26	M47-CCP-26	Screw (flat head)	M4X4	2	35.78
27	M47-CCP-27	Housing with o rings		1	8,348.23
28	M47-CCP-28	O-ring	φ12.1X1.8	1	35.78
29	M47-CCP-29	Valve Piston with O-Ring		1	632.08
30	M47-CCP-30	O-ring	φ14.43X2.62	1	35.78
31	M47-CCP-31	O-ring	φ12.84X2.62	1	35.78
32	M47-CCP-32	Valve Body with O Ring		1	9,063.79
33	M47-CCP-33	O-ring	φ19.16X1.78	3	35.78
34	M47-CCP-34	Plug		1	35.78
35	M47-CCP-35	Piston Rod with O Rings		1	954.08
36	M47-CCP-36	Piston		1	3,935.59
37	M47-CCP-37	O-ring	φ79.88X5.33	1	143.11
38	M47-CCP-38	O-ring	φ75X1.8	1	83.48
39	M47-CCP-39	O-ring	φ6.75X1.8	1	23.85

DESPIECE DE LA HERRAMIENTA

40	M47-CCP-40	Cap with O Ring		1	2,742.99
41	M47-CCP-41	Cross round Deed self	M5X20	6	35.78
42	M47-CCP-42	Roll Pin	φ 3X30	1	35.78
43	M47-CCP-43	Piston Spring		1	977.94
44	M47-CCP-44	Spacer Magazin Brack	φ6	2	262.37
45	M47-CCP-45	Spacer Magazin Brack	φ5	8	262.37
46	M47-CCP-46	Side Plate L.H.		1	2,087.06
47	M47-CCP-47	Pin Screw	M6Xφ7.9X1.7	4	262.37
50	M47-CCP-50	Tubing	1/4	1	262.37
51	M47-CCP-51	Spring Follower Latch	-	1	143.11
52	M47-CCP-52	Pin screw		2	35.78

* Precios en moneda nacional