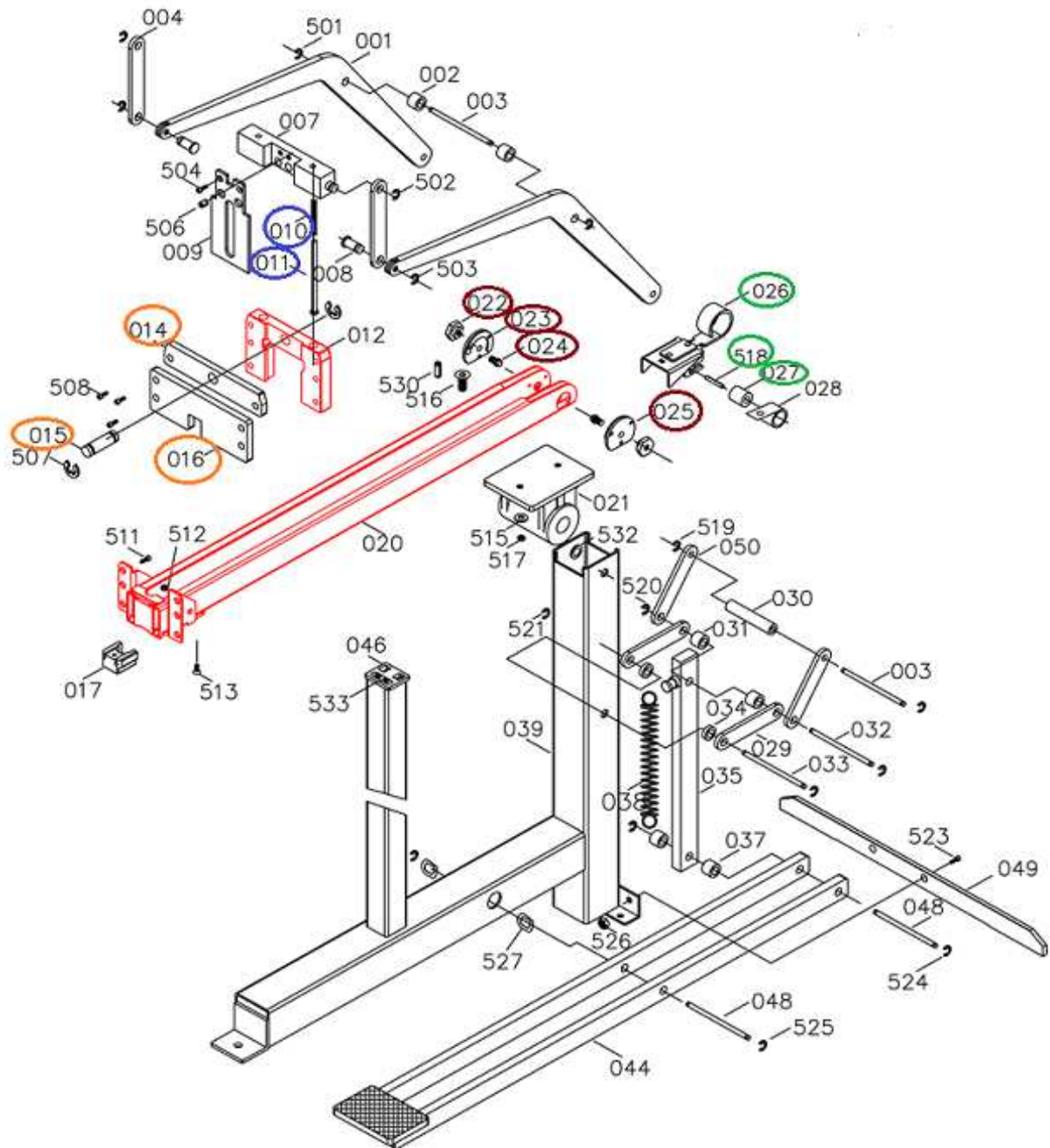


DESPIECE DE LA HERRAMIENTA


Usted encontrará con un círculo las piezas de desgaste recomendadas para mantener en stock.

CMB-SA-35



 Kit A - Kit del empujador

 Kit C - Kit del cabezal

 Kit E - Kit del perno y resorte del cabezal

 Kit D- Kit de las guías del carro

DESPIECE DE LA HERRAMIENTA

Propiedad de: Implementos Neumáticos SA de CV

CONFIDENCIAL

Prohibida la reproducción parcial o total

LISTA DE PARTES

MODELO: CMB-SA-35

Item	Part No.	Description	Q'ty	Specifica	P. Lista	Item	Part No.	Description	Q'ty	Specification	P. Lista
001	A00600104	LINK 1	2		1,272.51	508	BAC0605102	HEX.SOC.HD.BOLT	6	M5 x 0.8-10	19.67
002	A00603401	TUBE	2		95.41	511	BAC0605082	HEX. SOC. HD. BOLT	6	M5x0.8-8	19.67
003	A00603201	SHAFT E	2		152.65	512	BAD01041	LOCK NUT	1	M4 x 0.7	19.67
004	A00600401	LINK 2	2		63.21	515	BAE01052	SPRING WASHER	2	φ5	19.67
007	A00600703	DRIVER SEAT	1		725.10	516	BAC0205162	HEX.SOC.FLAT COUNTER	2	M5 x 0.8-16	19.67
008	A00600801	SHAFT C	2		133.57	517	BAD02051	LOCK NUT	2	M5 x 0.8	19.67
009	A00600904	DRIVER	1	35	381.63	519	BAF11002	E-RING	2	φ10	19.67
009	A00600905	DRIVER	1	32	381.63	520	BAF11002	E-RING	2	φ10	19.67
012	A00601208	MAGAZINE SEAT	1	35	2,035.78	521	BAF11002	E-RING	2	φ10	19.67
020	CMB-S-32-P3-SA	MAGAZINE UNIT	1	32	3,264.16	523	BAC0408202	HEX.SOC.HD.BOLT	2	M8 x 1.25-20	19.67
020	CMB-S-35-P3-SA	MAGAZINE UNIT	1	35	3,264.16	524	BAF11002	E-RING	2	φ10	19.67
021	A00602101	BRACKET SET	1		628.50	525	BAF11002	E-RING	2	φ10	19.67
026	A00103710A	PUSHER SET	1	32	422.18	526	BAD01081	LOCK NUT	2	M8 x 1.25	19.67
028	A00602801	SPRING	1		228.98	527	BAE03122	WAVE WASHER	2	φ12.5 x φ17	19.67
029	A00602901	LINK 3 -A	2		143.11	530	BAA040008	SPRING PIN	4	φ4-8	19.67
030	A00603002	TUBE	1		238.52	532	BAE03142	WAVE WASHER	2	φ14.5 x φ21	19.67
031	A00603701	TUBE	2		143.11	533	BAC0904082	HEX.SOC.ROUND.HD .SCREW	2	M4 x 0.7-8	19.67
032	A00603202	SHAFT E	1		152.65	534	BAC0608202	HEX.SOC.HD.BOLT	2	M8 x 1.25-20	19.67
033	A00603302	SHAFT F	1		133.57	KIT A	KIT DE EMPAQUES				
034	A00603402	TUBE	2		66.79	026	A00103709	PUSHER SET	1	35	462.95
035	A00603503A	LINK 4 SET	1		1,230.77	027	A00103501	ROLLER	1		
037	A00603701	TUBE	2		143.11	518	BAA040016	SPRING PIN	1	φ4-16	
038	A00603801	SPRING	1		381.63	KIT E	KIT DE PERNO Y RESORTE DEL CABEZAL				
039	A00603904A	BODY SET	1		8,816.92	010	A00601002	SPRING	2		432.40
044	A00604402A	STEP BOARD SET	1		3,160.40	011	A00601103	SPRING SHAFT	2		
046	A00604607	MOLD	1		286.23	KIT C	KIT DE CABEZAL				
048	A00604801	SHAFT G	2		143.11	014	A00601405	COVER B	1		901.23
049	A00604901	BALANCER	1		775.19	015	A00601502	SHAFT D	1		
050	A00602903	LINK 3 -C	2		143.11	016	A00601605	COVER A	1		
051	A00608201	SHAFT	1		318.43	KIT D	KIT DE GUIAS DEL CARRO				
501	BAF11002	E-RING	2	φ10	19.67	022	A00607101	NUT	2		227.95
502	BAF10502	E-RING	2	φ5	19.67	023	A00103903	RIGHT PUSHER GUIDE	1		
503	BAF10502	E-RING	2	φ5	19.67	024	A00103203	ROD	2		
504	BAC0604102	HEX.SOC.HD.BOLT	2	M4 x 0.7	19.67	025	A00103904	LEFT PUSHER GUIDE	1		
506	BAA060016	SPRING PIN	2	φ6-16	19.67						
507	BAF10602	E-RING	2	φ6	19.67						

*Precios en moneda nacional