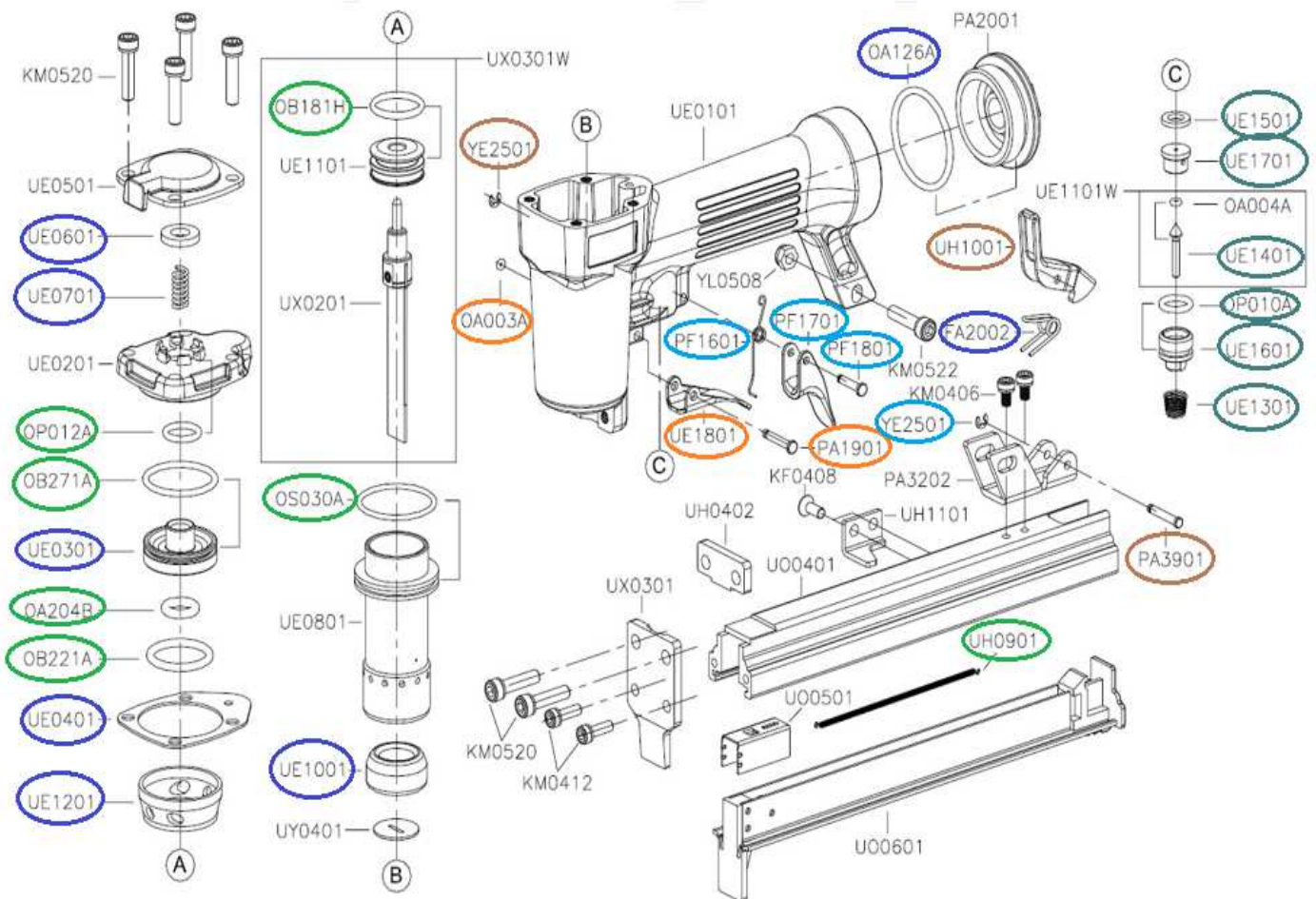


DESPIECE DE LA HERRAMIENTA

Usted encontrará con un círculo las piezas de desgaste recomendadas para mantener en stock.

SF5016D



Kit A - Kit de empaques y resorte

Kit D - Kit de la uñeta del carro

Kit B - Kit del tope y de la válvula

Kit E - Kit del resorte del gatillo

Kit C - Kit del gatillo

Kit G - Kit de la válvula del gatillo

DESPIECE DE LA HERRAMIENTA

Propiedad de: Implementos Neumáticos SA de CV
Prohibida la reproducción parcial o total

CONFIDENCIAL

LISTA DE PARTES
MODELO: SF5016D

Part No.	Description	Q'ty	Specification	P. Lista	Part No.	Description	Q'ty	Specification	P. Lista
KF0408	FLAT HD BOLT	2	M4X 0.7-8L	17.18	KIT A KIT DE EMPAQUES Y RESORTE				
KM0406	HEX SOC HD BOLT	2	M4X 0.7-6L	17.18	OA204B	O'RING	1		186.83
KM0412	HEX SOC HD BOLT	2	M4X 0.7-12L	17.18	OB181H	O'RING	1	17.7X3.0	
KM0520	HEX SOC HD BOLT	6	M5X 0.8-20L	17.18	OB271A	O'RING	1	26.8X2.4	
KM0522	HEX SOC HD BOLT	1	M5X 0.8-22L	17.18	OP012A	O'RING	1	P12	
OA004A	O'RING	1		17.18	OS030A	O'RING	1	S-30	
OB221A	O'RING	1	22X3	22.92	UH0901	PULL SPRING	1		
OP010A	O'RING	1	P10	17.18	KIT B KIT DEL TOPE Y DEL PISTON				
PA2001	END CAP	1		301.04	FA2002	SPRING	1		406.55
PA3202	SUPPORT	1			OA126A	O'RING	1		
UE0101	BODY	1		-	UE0301	HEAD VALVE PISTON	1		
UE0201	CYLINDER CAP	1		-	UE0401	CAP SEAL	1		
UE0501	EXHAUST CAP	1		-	UE0601	PISTON STOP	1		
UE0801	CYLINDER	1		301.04	UE0701	COMPRESSION SPRING	1		
UE1101	MAIN PISTON	1		73.96	UE1001	BUMPER	1		
UE1101W	TRIGGER VALVE ASSY	1		46.88	UE1201	COLLAR	1		
UE1301	COMPRESSION SPRING	1		17.18	KIT C KIT DEL GATILLO				
UE1401	TRIGGER VALVE STEM	1		37.50	OA003A	O'RING	1		74.03
UE1501	SEAL	1		17.18	PA1901	PIN	1		
UE1601	TRIGGER VALVE GUIDE	1		69.79	UE1801	TRIGGER	1		
UE1701	TRIGGER VALVE SEAT	1		45.83	KIT D KIT DE LA UÑETA DEL CARRO				
UH0402	GUIDE PLATE	1		92.71	PA3901	PIN	1		128.08
UH1101	MAGAZINE RETAINER	1		92.71	UH1001	LATCH	1		
UO0401	MAGAZINE CAP	1		879.17	YE2501	E-RING	2	φ2.5	
UO0501	PUSHER	1		45.83	KIT E KIT DEL RESORTE DEL GATILLO				
UO0601	MAGAZINE SEAT	1		879.17	PF1601	SPRING	1		237.35
UX0201	DRIVER SET	1		236.46	PF1701	SAFETY LEVER	1		
UX0301	COVER PLATE	1			PF1801	PIN	1		
UX0301W	DRIVER ASSY	1		347.92					
UY0401	NOZZLE	1		22.92					
YL0508	LOCK NUT	1		17.18	YE2501	E-RING	2	φ2.5	
UO0601	MAGAZINE SEAT SET	1		991.70					

DESPIECE DE LA HERRAMIENTA

Propiedad de: Implementos Neumáticos SA de CV
Prohibida la reproducción parcial o total

CONFIDENCIAL

LISTA DE PARTES
MODELO: SF5016D

Part No.	Description	Q'ty	Specification	P. Lista
KIT G KIT DE LA VALVULA DEL GATILLO				
OP010A	O-RING	1	9.8×1.9)	224.43
UE1301	COMPRESSION SPRING	1		
UE1401	TRIGGER VALVE STEM	1		
UE1501	SEAL	1		
UE1601	GUIDE	1		
UE1701	TRIGGER VALVE SEAT	1		

Part No. Description Q'ty Specification P. Lista

*Precios en moneda nacional