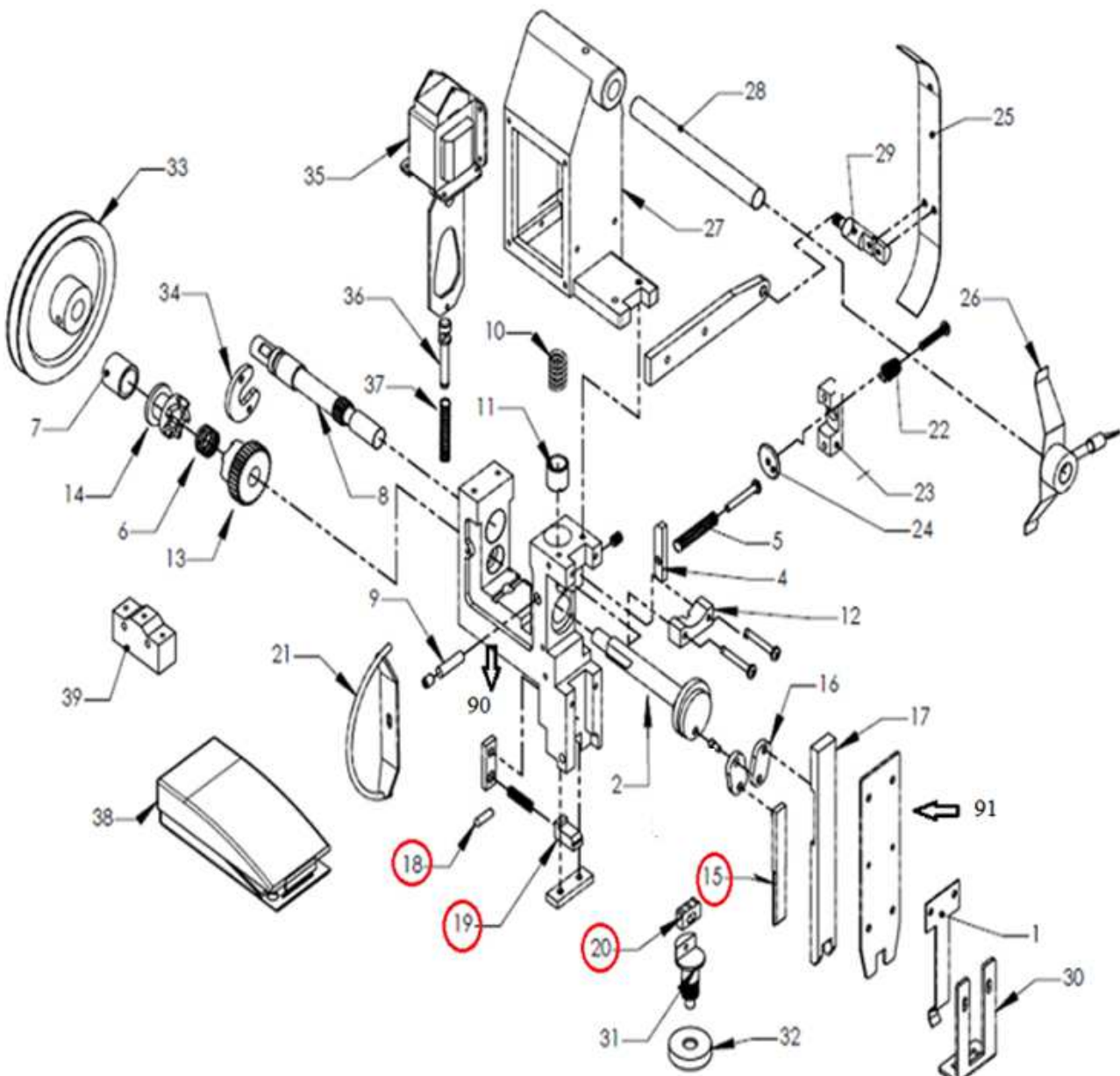


DESPIECE DE LA HERRAMIENTA

Usted encontrará con un círculo las piezas de desgaste recomendadas para mantener en stock.

BSC10-110



015: Lanceta 018: Round die 019: Formador 020: Cuchilla

Kit: Una lanceta (15) y un Anvil (16)

**DESPIECE DE LA
HERRAMIENTA**

Propiedad de: Implementos Neumáticos SA de CV
Prohibida la reproducción parcial o total

CONFIDENCIAL

**LISTA DE PARTES
MODELO: BC10-110**

Item	Part No.	Description	Q'ty	P. Lista
01	BSC10-01	SPRING PLATE	1	665.56
02	BSC10-02	WIRE FEEDING SHAFT	1	6,655.65
04	BSC10-04	POSITION BRAKER	1	665.56
05	BSC10-05	SPRING OF 3-4	1	133.11
06	BSC10-06	CLUTCH SPRING	1	177.48
07	BSC10-07	CLUTCH POSITION RING	1	443.71
08	BSC10-08	DRVIER SHAFT	1	3,549.68
09	BSC10-09	SHAFT HEIGHT ADJ	1	443.71
10	BSC10-10	SPRING	1	221.85
11	BSC10-11	SPRING HOUSING	1	887.42
12	BSC10-12	WIRE GUIDE BLOCK	1	1,774.84
13	BSC10-13	GEAR	1	2,662.26
14	BSC10-14	CLUTCH	1	1,774.84
15	BSC10-15	DRIVER	1	1,552.98
16	BSC10-16	CRANK ROD	2	665.56
17	BSC10-17	BENDER	1	7,543.07
18	BSC10-18	ROUND DIE	1	887.42
19	BSC10-19	FORMER	1	1,774.84
20	BSC10-20	CLINCHER	1	1,331.13
21	BSC10-21	WIRE FUBE	1	2,218.55

Item	Part No.	Description	Q'ty	P. Lista
22	BSC10-22	SPRING	1	221.85
23	BSC10-23	ONE WAY BLOCK	1	1,774.84
24	BSC10-24	STOPPER	1	887.42
25	BSC10-25	WIRE GUIDE	1	1,331.13
26	BSC10-26	SPOOL BRAKER	1	1,109.27
27	BSC10-27	SOLENOID HOUSING	1	4,437.10
28	BSC10-28	SPOOL HOLDER	1	443.71
29	BSC10-29	WIRE GUIDE HOLDER	1	-
30	BSC10-30	FINGER GUARD	1	1,109.27
31	BSC10-31	CLINCHER HOLDER	1	6,022.65
32	BSC10-32	NUT	1	2,504.47
33	BSC10-33	MOTOR PULLY	1	1,774.84
34	BSC10-34	SHAFT FIXER	1	1,331.13
35	BSC10-35	SOLENOID	1	3,327.82
36	BSC10-36	CLUTCH CONTROLER	1	1,774.84
37	BSC10-37	SPRING	2	133.11
38	BSC10-38	CONTROL PEDAL	1	2,662.26
39	BSC10-39	MICRO SWTICH	1	887.42
90	BSC10-90	HEAD CASTING	1	36,688.23
91	A18202401	FRONT COVER	1	1,667.65

* Precios en moneda nacional