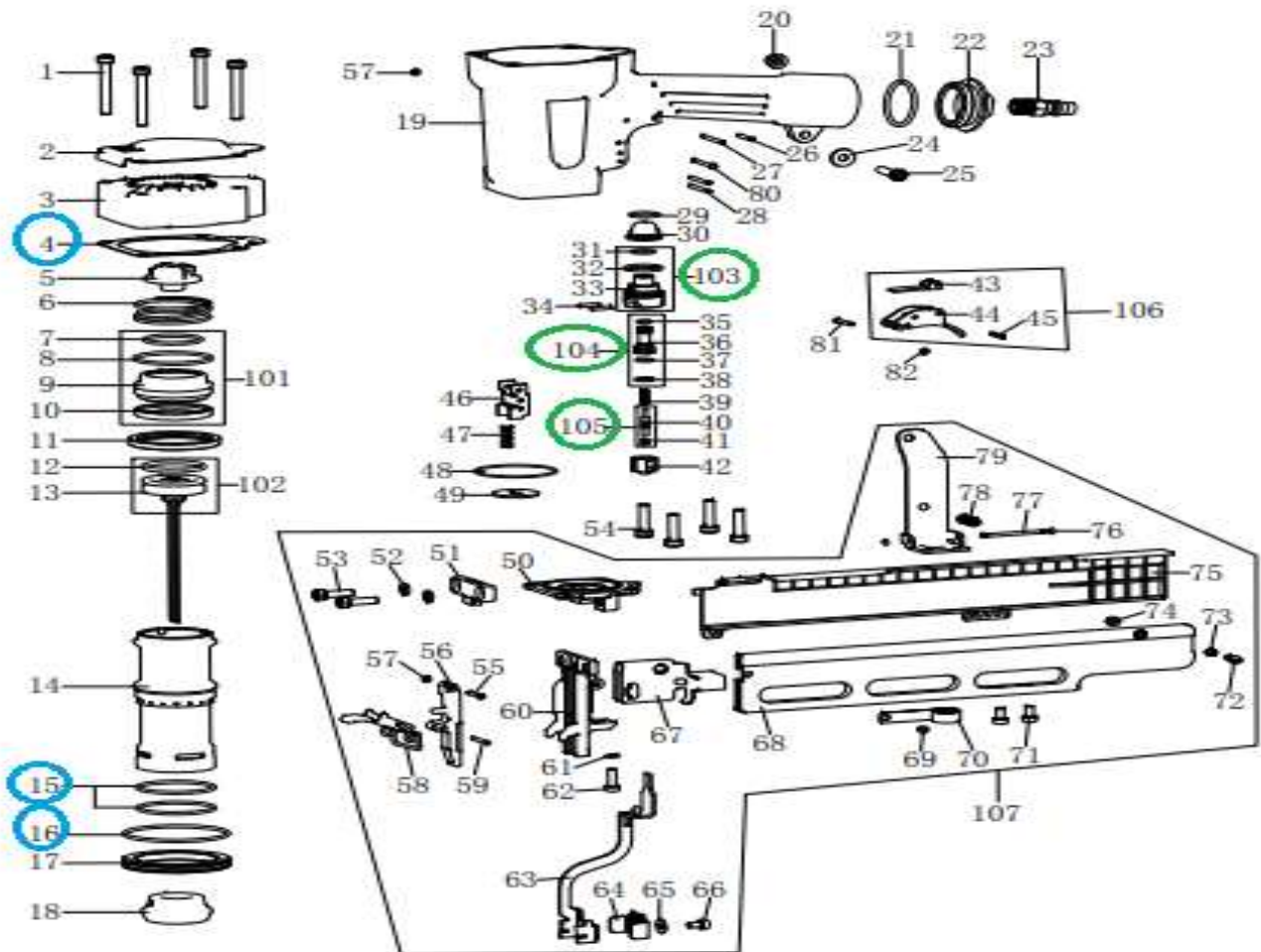


DESPIECE DE LA HERRAMIENTA

Usted encontrará con un círculo
las piezas de desgaste
recomendadas para mantener
en stock

SF16851H6



Kit A - Kit de empaques

Kit P2 - Kit de la válvula del gatillo

DESPIECE DE LA HERRAMIENTA

Propiedad de: Implementos Neumáticos SA de CV
Prohibida la reproducción parcial o total

CONFIDENCIAL

LISTA DE PARTES

MODELO: SF16851H6

Item	Part No.	Description	Q'ty	Precio	Item	Part No.	Description	Q'ty	Precio
01	SF16851H6N-01	SCREW M6x50	1	17.18	51	SF16851H6N-51	OPPRESSOR	1	95.83
02	SF16851H6N-02	EXHANUST COVER	1	104.17	52	SF16851H6N-52	SPRING WASHER M6	1	17.18
03	SF16851H6N-03	CYLINDER CAP	1	560.42	53	SF16851H6N-53	SCREW M6x20	1	17.18
05	SF16851H6N-05	AIRPROOF CUSHION	1	56.25	54	SF16851H6N-54	SCREW M6x25	1	17.18
06	SF16851H6N-06	SPRING	1	71.88	55	SF16851H6N-55	PIN	1	17.18
07	SF16851H6N-07	O-RING 32.99x2.62	1	17.18	56	SF16851H6N-56	MUZZLE COVER	1	416.67
08	SF16851H6N-08	O-RING 43x2.6	1	17.18	57	SF16851H6N-57	RUBBER JACKER	1	17.18
09	SF16851H6N-09	ACTIVE VALVE	1	280.21	58	SF16851H6N-58	MUZZLE FASTEN SET	1	95.83
10	SF16851H6N-10	ACTIVE SHIM	1	23.96	59	SF16851H6N-59	ROLL PIN ϕ 3x22	1	17.18
11	SF16851H6N-11	RETAINER RING	1	46.88	60	SF16851H6N-60	MUZZLE	1	1,041.67
12	SF16851H6N-12	O-RING 33.7x3.5	1	17.18	61	SF16851H6N-61	SPRING WAHSER M5	1	17.18
13	SF16851H6N-13	DRIVER	1	520.83	62	SF16851H6N-62	SCREW M5x16	1	17.18
14	SF16851H6N-14	CYLINDER	1	368.75	63	SF16851H6N-63	SAFETY	1	152.08
17	SF16851H6N-17	RETAINER RING	1	88.54	64	SF16851H6N-64	SAFETY ADJUSTER	1	23.96
18	SF16851H6N-18	BUMPER	1	216.67	65	SF16851H6N-65	FLAT WASHER	1	17.18
19	SF16851H6N-19	BODY	1	1,202.08	66	SF16851H6N-66	SCREW M5x6	1	17.18
20	SF16851H6N-20	LOCKNUT M6	1	17.18	67	SF16851H6N-67	PUSHER	1	51.04
21	SF16851H6N-21	O-RING 37.5x3	1	17.18	68	SF16851H6N-68	NAIL ORIENT	1	609.38
22	SF16851H6N-22	TAIL CAP	1	112.50	69	SF16851H6N-69	SCREW M4x5	1	17.18
24	SF16851H6N-24	SPRING WASHER M6	1	17.18	70	SF16851H6N-70	WINDING SPRING	1	64.58
25	SF16851H6N-25	SCREW M6x25	1	17.18	71	SF16851H6N-71	SCREW M5x10	1	17.18
26	SF16851H6N-26	ROLL PIN ϕ 3x22	1	17.18	72	SF16851H6N-72	SHUTOFF	1	32.29
27	SF16851H6N-27	ROLL PIN ϕ 3x30	1	17.18	73	SF16851H6N-73	SPRING	1	17.18
28	SF16851H6N-28	ROLL PIN ϕ 3x28	1	17.18	74	SF16851H6N-74	NUT	1	17.18
29	SF16851H6N-29	O-RING 16x1.8	1	17.18	75	SF16851H6N-75	NAIL PROTECTOR	1	112.50
30	SF16851H6N-30	TRIGGER COVER	1	35.42	76	SF16851H6N-76	O-RING 2x2	1	17.18
31	SF16851H6N-31	O-RING 11.8x1.8	1	17.18	77	SF16851H6N-77	PIN	1	17.18
32	SF16851H6N-32	O-RING 19.6x2.4	1	17.18	78	SF16851H6N-78	SPRING	1	17.18
33	SF16851H6N-33	TRIGGER VALVE	1	67.71	79	SF16851H6N-79	LINK	1	154.17
34	SF16851H6N-34	TRIGGER PIN	1	17.18	80	SF16851H6N-80	TRIGGER PIN	1	17.18
35	SF16851H6N-35	O-RING 5.8x1.9	1	17.18	81	SF16851H6N-81	PIN	1	17.18
36	SF16851H6N-36	VALVE SHAFT	1	47.92					
37	SF16851H6N-37	O-RING 5.8x1.9	1	17.18	82	SF16851H6N-82	RUBBER JACKER	1	17.18

DESPIECE DE LA HERRAMIENTA

Propiedad de: Implementos Neumáticos SA de CV
Prohibida la reproducción parcial o total

CONFIDENCIAL

LISTA DE PARTES MODELO: SF16851H6

Item	Part No.	Description	Q'ty	Precio	Item	Part No.	Description	Q'ty	Precio
38	SF16851H6N-38	O-RING 8.8x1.9	1	17.18	101	SF16851H6N-101	ACTIVE VALVE SET	1	331.25
39	SF16851H6N-39	SPRING	1	17.18	102	SF16851H6N-102	DRIVER SET	1	640.63
40	SF16851H6N-40	THIMBLE	1	17.18	106	SF16851H6N-106	TRIGGER SET	1	44.79
41	SF16851H6N-41	O-RING 2.5x1.4	1	17.18	107	SF16851H6N-107	MAGAZINE SET	1	2,083.33
42	SF16851H6N-42	THIMBLE COVER	1	30.21	SF16851H6N-A				
43	SF16851H6N-43	TRIGGER SAFETY	1	17.18	04	SF16851H6N-04	CYLINDER CAP SHIM	1	158.33
44	SF16851H6N-44	TRIGGER	1	27.08	15	SF16851H6N-15	O-RING 43x2.6 (2)	1	
45	SF16851H6N-45	ROLL PIN $\phi 3 \times 16$	1	17.18	16	SF16851H6N-16	O-RING 60x2.62	1	
46	SF16851H6N-46	SAFETY ORIENT	1	29.17	SF16851H6N-P2				
47	SF16851H6N-47	SPRING	1	17.18	103	SF16851H6N-103	VALVE SET	1	161.46
48	SF16851H6N-48	O-RING 47x1.5	1	17.18	104	SF16851H6N-104	VALVE PISTON SET	1	
49	SF16851H6N-49	GAG	1	18.75	105	SF16851H6N-105	THIMBLE SET	1	
50	SF16851H6N-50	MUZZLE BASE	1	625.00					

* Precios en moneda nacional